

OTV Oil Tank Valve

Spec Sheet

FEATURES & BENEFITS

- MIP x MIP or MIP x OD Flare
- Temperature Rating 250°F
- 125 PSI
- Brass-Hard Seat
- Brass Body
- Sizes 1/2" x 3/8"

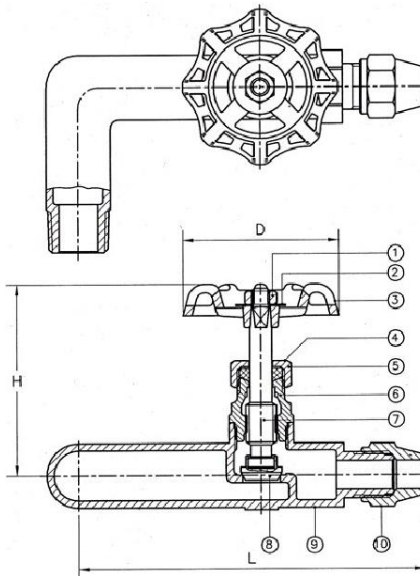


DIMENSIONS

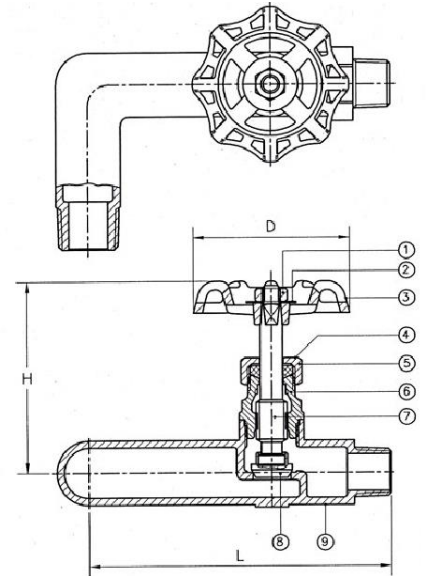
Part #	Size	D	H	L
OTV-100	1/2" MIP x 3/8" MIP	2.09	2.62	4.04
OTV-200	1/2" MIP x 3/8" OD Flare	2.09	2.62	4.65

MATERIAL SPECIFICATIONS

No.	Part	Material
1	Wheel Nut	Hot Rolled SAE 1010R
2	Name Plate	Aluminum A1100
3	Handwheel	Cast Iron
4	Packing Nut	Brass Rod C37700
5	Gland Packing	PTFE
6	Bonnet	Cast Brass C85700
7	Stem	Brass Rod C37700
8	Disc	Brass Rod C37700
9	Body	Cast Brass C85700
10	Flare	Brass Rod C37700



OTV-200



OTV-100

